

LiquiPro™ YP

High Purity Polypropylene Filter Housing EZ Key

LiquiPro™ YP is a high purity virgin-grade polypropylene filter housing that is applicable for use in the semiconductor industry. It is assembled, cleaned and tested in an ultra clean manufacturing centre of Class 100 and Class 1000.

LiquiPro™ YP is an excellent space saving solution. The cartridge filter can be locked into the bowl allowing the installation of both the cartridge filter and housing bowl to be installed as a single unit, thereby minimizing contamination and chemical contact.

Features

- Universal Filter Grade Compatibility**
 Compatible with industry standard 2-222 / Flat single-open-end filter cartridges.
- Internal Fluid Fully Drains During Drain Cycle**
 The filter housing design prevents dead-legs and stagnation points to allow internal fluid to drain fully during the drain cycle to minimize cross contamination and ensure fast flush up.
- Easy and Fool-proof Filter Installation / Changeout**
 When using the Chemlock® compatible EZ Key. The LiquiPro™ YP cartridge housing bowl is used as a tool when installing and removing a cartridge. After insertion into the bowl, a 1/4 turn locks the cartridge into place. The bowl and cartridge are easily installed into the head, by turning the locking ring, the cartridge is pushed vertically, ensuring perfect alignment and double O-ring engagement every time.



- Rigorous Qualification ASTM, ASME, NSF / ANSI42**
 Hydrostatic pressure tested 0.75MPa (110psi) at room temperature ; Cyclic pressure tested from 0-0.75MPa (110psi) for 100,000 cycles at room temperature.
- Tremendous Tool Space Saving**
 Compared with traditional housings, saving a minimum of 20-45cm of vertical space for cartridge changeout.

Benefits

- No Touch Cartridge Changeout**
 Minimising exposure to chemicals for maximum safety and eliminates process contamination.
- Ultra Clean Materials**
 Manufactured from high-purity virgin grade polypropylene PC-366-5.
- 100% Successful Cartridge Installation**
 The cartridge locking feature prevents the cartridge from falling out or being pushed out by back pressure. Vertical installation ensures that the O-rings will not roll.

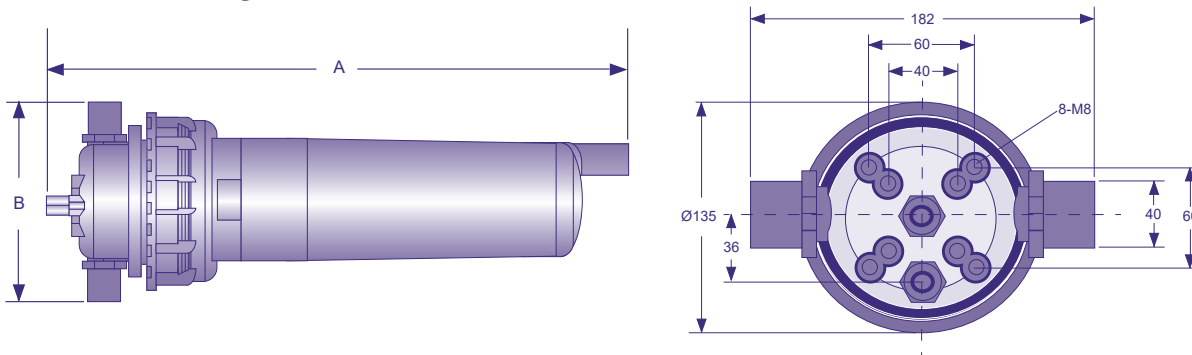
YP Series PP Housing

Table 1: Specifications

Materials	Head, molded fittings, bowl, O-ring Locking Ring (non wetted part) Mounting Screw	Polypropylene FKM, EPDM PP (Glass fibre reinforced)
Mounting Connections	See Ordering Information	SUS304 M8 x 1.25
Cartridge Connections	Code 0 (dual 2-222 O-rings)	AT (70mm dia.), ATX (83mm dia.), EZ Lock, Or Pxx
Operating Conditions (Water Service)	Maximum Inlet Pressure	0.3MPa (3.0bar, 43psi) @ 70°C 0.75MPa (7.5bar, 110psi) @ 25°C
	Maximum Operating Temperature	70°C (212°F)

For CDA gas service, contact a member of the Sales Team.

Table 2: PP Housing Dimensions



Inlet / Outlet	Head Vent / Drain	Bowl Vent / Drain	B	A (5" Housing)	A (10" Housing)	A (20" Housing)
1" Flare	1/2", 1/4" Flare	1/2", 3/8", 1/4" Flare	193mm (7.6")	NA	466mm (18.3")	710mm (27.9")
3/4" Flare	1/2", 1/4" Flare	1/2", 3/8", 1/4" Flare	183mm (7.2")	NA	466mm (18.3")	710mm (27.9")
1" NPT Female	1/4" NPT Female	1/2", 3/8", 1/4" Flare	154mm (6.0")	NA	436mm (17.2")	680mm (26.8")
3/4" NPT Female	1/4" NPT Female	1/2", 3/8", 1/4" Flare	154mm (6.0")	NA	436mm (17.2")	680mm (26.8")
1" NPT Female	1/4" NPT Female	1/4" NPT Female	154mm (6.0")	NA	421mm (16.4)	655mm (26.2")
3/4" NPT Female	1/4" NPT Female	1/4" NPT Female	154mm (6.0")	NA	421mm (16.4)	655mm (26.2")
3/4" NPT Female	1/4" NPT Female	1" NPT Female	154mm (6.0")	NA	NA	655mm (26.2")
1" Flare	No Vent	1/2", 3/8", 1/4" Flare	193mm (7.6")	350mm (13.7")	NA	NA

Table 4: Housing Kit (Head and Bowl)

Part Numbers	Description
YPZ-2-FL-16-F4-F8-E-P	LiquiPro™ HSG 20", Head IO FL 1", V/D FL 1/4", Bowl VD FL 1/2", EPDM OR, PP lock-ring
YPZ-2-FL-12-F4-F8-E-P	LiquiPro™ HSG 20", Head IO NPTF 3/4", V/D FL 1/4", Bowl VD FL 1/2", EPDM OR, PP lock-ring
YPZ-2-FL-12-N4-F8-E-P	LiquiPro™ HSG 20", Head IO NPTF 3/4", V/D NPTF 1/4", Bowl VD FL 1/2", EPDM OR, PP lock-ring
YPZ-2-FL-12-N4-N16-E-P*	LiquiPro™ HSG 20", Head IO NPTF 3/4", V/D NPTF 1/4", Bowl VD NPTF 1", EPDM OR, PP lock-ring
YPZ-2-FL-16-F8-F8-E-P	LiquiPro™ HSG 20", Head FL IO 1", FL V/D 1/2", Bowl VD 1/2", EPDM OR, PP lock-ring
YPZ-1-FL-16-F8-F8-E-P	LiquiPro™ HSG 10", Head FL IO 1", FL V/D 1/2", Bowl VD 1/2", EPDM OR, PP lock-ring
YP2-FL-16-F8-F8-V-P	LiquiPro™ HSG 20", Head FL IO 1", FL V/D 1/2", Bowl VD 1/2", FKM OR, PP lock-ring
YP-2-FL-12-F4-F8-E-P	LiquiPro™ HSG 20", Head IO 3/4", V/D FL 1/4", Bowl VD FL 1/4", EPDM OR, PP lock-ring
YP-1-NP-12-N4-N8-E-P	LiquiPro™ HSG 10", Head IO NPTF 3/4", V/D 1/4", Bowl VD NPTF 1/2", EPDM OR, PP lock-ring
YP-1-FL-12-F8-F8-V-P	LiquiPro™ HSG 10", Head IO FL 3/4", V/D FL 1/2", Bowl VD FL 1/2", FKM OR, PP lock-ring
YP-1-NP-12-N4-N4-E-P-MW	LiquiPro™ HSG 10", Head IO NPTF 3/4", V/D 1/4", Bowl VD 1/4", EPDM OR, PP lock-ring, JY MT Plate, M8x4, JY WR
YP-A-FL-12-F4-F8-V-P-NC	LiquiPro™ HSG 5", Head IO FL 3/4", VD FL 1/4", Bowl VD FL 1/2", FKM OR, PP lock-ring
YP-A-FL-12-X-N4-V-P	LiquiPro™ HSG 5", Head IO FL 3/4", NO VD, Bowl VD NPTF 1/4" (incl. 1/4 plug), FKM OR, PP lock-ring

Table 4A: Housing Heads

Part Numbers	Description
YPEZH-FL-16-F4	LiquiPro™ HSG, Head IO FL 1", V/D FL 1/4"
YPEZH-FL-16-F8	LiquiPro™ HSG, Head IO FL 1", V/D FL 1/2"
YPEZH-FL-12-F4	LiquiPro™ HSG, Head IO FL 3/4", V/D FL 1/4"
YPEZH-FL-12-F8	LiquiPro™ HSG, Head IO FL 3/4", V/D FL 1/2"
YPEZH-NP-12-N4	LiquiPro™ HSG, Head IO NPTF 3/4", V/D FL 1/4"

Table 4B: Housing Bowls

Part Numbers	Description
YPEZB-1-F8-E-P	LiquiPro™ HSG Bowl 10", V/D FL 1/2", EPDM OR, PP lock-ring
YPEZB-1-F4-E-P	LiquiPro™ HSG Bowl 10", V/D FL 1/4", EPDM OR, PP lock-ring
YPEZB-2-F8-E-P	LiquiPro™ HSG Bowl 20", V/D FL 1/2", EPDM OR O-ring, PP lock-ring
YPEZB-2-F8-V-P	LiquiPro™ HSG Bowl 20", V/D FL 1/2", FKM OR O-ring, PP lock-ring
YPEZB-2-F6-E-P	LiquiPro™ HSG Bowl 20", V/D FL 3/8", EPDM OR O-ring, PP lock-ring
YPEZB-2-F4-E-P	LiquiPro™ HSG Bowl 20", V/D FL 1/4", EPDM OR O-ring, PP lock-ring
YPB-1-F8-V-P	LiquiPro™ HSG Bowl 10", V/D FL 1/2", FKM OR O-ring, PP lock-ring
YPB-1-N4-E-P	LiquiPro™ HSG Bowl 10", V/D FL 1/4", EPDM OR O-ring, PP lock-ring
YPB-2-F8-V-P	LiquiPro™ HSG Bowl 20", V/D FL 1/2", FKM OR O-ring, PP lock-ring
YPB-2-F4-E-P	LiquiPro™ HSG Bowl 20", V/D FL 1/4", EPDM OR O-ring, PP lock-ring

Note: YPEZB Housing Bowl uses EZ Key. YPB does not.

Table 5: Accessories

Part Numbers	Description
YP-WR-JY-1	YPL HSG JY Wrench w O-Ring removal hook 1/pk
YP-MP-JY-1	YPL HSG JY Mount Plate 1/PK
YYEZL-OR-345-V-1	Spare O-ring, 2-345, FKM, Viton® equiv, 1/PK
YYEZL-OR-345-E-5	Spare O-ring, 2-345, FKM, 5/PK
YYEZL-OR-345-T-1	Spare O-ring, 2-345, E-FKM, 1/PK
YYEZL-WR-TQ1	EZ Lock Housing Digital Torque Wrench Assembly
YYEZL-WR-HEADHOOK	Wrench Head with O-ring removal hook
YYEZL-SC-LS-20-4	PVDF Screw M8X1.25 EXT, Ext HEX, L20mm, 4/PK
YYEZL-SC-HS-20-4	SUS304 Screw M8X1.25 EXT, Ext HEX, L20mm, 4/PK
YYEZL-MP-SUS-110105-02-1	Mount plate for MYC-Exx CL PP, Stainless Steel 110X105XX2mm, 1/PK

Table 6: Compatibilities

Part Number	O-ring	Torque (N•m)	Temp (°C)	Solvents	Acid	Base	Oxidisers	Notes
YYEZL-OR-345-V-1	Viton®	28.5	<100	A	A	A	B	Avoid polar solvents, amines and anhydrous ammonia.
YYEZL-OR-345-E-1	EPDM	28.5	<100	A	A	A	B	Good resistance to mild acids, detergents. Fair to poor resistance to solvents.
YYEZL-OR-345-T-1	E-FKM	45	<100	C	A	C		Teflon® encapsulation provides better excellent cleanliness and compatibility; however due to diffusion, avoid polar solvents, amines, and anhydrous ammonia.

Ordering Information

To form a part number, please chose one option from each column below.

Product Code: 1 2 3 4 5 6 7 8 **YP5F12F8F8GP**

Product Name	Length	Head Fitting	Inlet / Outlet	Vent/Drain (HEAD)	Vent Drain (BOWL)	Seals	Locking Ring
YP LiquiPro YP Series Single round Housing	5 5"	F Flare	12 3/4"	F8 FL 1/2"	F8 FL 1/2"	G FEP Encap Silicone	P PP
	10 10"	N NPTF	16 1"	F4 FL 1/4"	F4 FL 1/4"	K FFKM	
	20 20"			N8 N 1/2"	N8 N 1/2"	T E-FKM	
YPZ LiquiPro YP Series Single round Housing EZ Key feature	30 30"			N4 N 1/4"	N4 N 1/4"		