

LiquiPro™ EZ

Ultra High Purity PFA Cartridge Housing



Ultra-High-Purity and patented LiquiPro™ EZ PFA Cartridge Housing offers an excellent space-saving solution. This housing locks the cartridge into the bowl, allowing the bowl and cartridge to be installed or removed as a single unit. Thus ensuring that contamination and chemical contact is minimised.

Features

- Universal Filter Grade Compatibility**
 Compatible with industry standard 2-222 / Flat single-open-end filter cartridges, as well as industry standard and EZ key filter elements.
- Easy and Fool-proof Filter Installation / Changeout**
 When using the Chemlock® EZ Key. The LiquiPro™ EZ cartridge housing bowl is used as a tool when installing and removing a cartridge. After insertion into the bowl, a 1/4 turn locks the cartridge into place. The bowl and cartridge are easily installed into the head, by turning the locking ring, the cartridge is pushed vertically, ensuring perfect alignment and double O-ring engagement every time.
- Rigorous Qualification ASTM, ASME, NSF / ANSI42**
 Hydrostatic pressure tested 0.75MPa (110psi) at room temperature ; Cyclic pressure tested from 0-0.5MPa (72psi) for 100,000 cycles at room temperature. 100°C high temperature leak tested at 0.43MPa (62psi).

- Mass Production**
 > 1000 units installed in Taiwan, US, Japan, Europe, China for UHP semiconductor applications. Chemical delivery system, process equipment as well as retrofitted on Lam Research Sabre, SEZ, SCREEN tools.
- Ultra Clean Manufacturing**
 Assembled, cleaned, tested in class 1000 and 100 manufacturing center.
- PFOA-Free**
 PFOA is not used in the manufacturing process.
- Choice of Inlet / Outlet fittings available**
 Pillar S300 1", Super Pillar 3/4", Flare 1" and 3/4" inlet / outlet fittings available to meet semiconductor applications requirements.

Benefits

- Tremendous Tool Space Saving**
 Compared with traditional housings, saving a minimum of 20-45cm of vertical space for cartridge changeout.
- No touch Cartridge Changeout**
 Operators do not have to touch the cartridge body during cartridge changeout, which minimizes exposure to chemicals for maximum safety and eliminate possibility of process contamination.

Performance Specifications

Materials of construction

Connector nuts:	PVDF or PFA
Locking ring:	PVDF or PP (With glass fibre)
Head, Bowl & Molded-on fittings:	Dupont PFA 440 HPJ
O-rings:	FEP Encapsulated Silicone, FFKM, E-FKM

Fluid connections:

See ordering Information

Cartridge connections:

Dual 2-222 O-rings

AT (70mm Dia), ATX (83mm Dia)
EzeLock™ and industry standard equivalents.

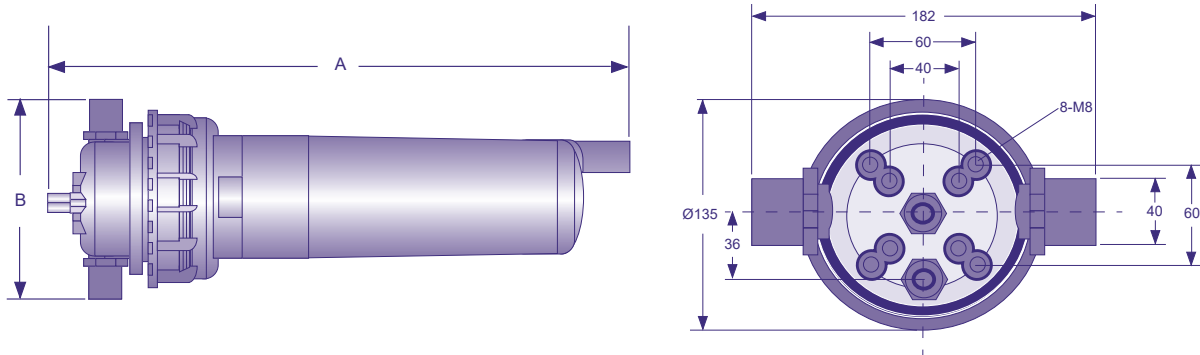
Maximum inlet pressure:

3.0 bar (43 psi) @ 100°C
7.5 bar (110 psi) @ 25°C

Maximum operating temperature

100°C (212°F)

Dimensions



Inlet / Outlet	Vent / Drain	B	A (5" Housing)	A (10" Housing)	A (20" Housing)	A (30" Housing)
1" Flare	1/2" Flare	202mm (8.0")	351mm (13.9")	481mm (18.9")	710mm (28")	957mm (37.7")
3/4" Flare	1/2" Flare	192mm (7.6")	351mm (13.9")	481mm (18.9")	710mm (28")	957mm (37.7")
1" S300***	1/2" S300***	182mm (7.2")	329 (12.9")	459mm (18.0")	688mm (27.0")	935mm (36.8")
3/4" Super Pillar	1/2" Super Pillar	180mm (7.1")	328mm (12.9")	458mm (18.0")	687mm (27.0")	934mm (36.8")

*** Super 300 Type Pillar® Fitting

Ordering Information

To form a part number, please chose one option from each column below.

Product Code: 1 2 3 4 5 6 7 8 9 **EZ1FL1288GVN**

Product Name	Length	Fitting	Inlet / Outlet	Vent	Drain	Seals	Locking Ring	connection
EZ LiquiPro EZ PFA Housing Ultra High Purity	1 10"	FL Flare	12 3/4"	8 1/2"	8 1/2"	G FEP Encap Silicone	V PVDF	N PVDF Union Nuts
	2 20"	FL Flare	16 1"	4* 1/4"	4* 1/4"	K FFKM	P PP	NPF PFA Union Nuts
	3 30"	PL Super Pillar	12 3/4"	* = Non standard option.		G E-FKM		Assembled with I/O & V/D union units
	A 5"	S3 S300	16 1"					
	E 9.5"							

Accessories

Part Numbers	Description
EZ-OR-344-T-1	Spare o-ring, 2-344, E-FKM, 1/PK
EZ-OR-344-K-1	Spare o-ring, 2-344, FFKM, 1/PK
EZ-OR-344-K4-1	Spare o-ring, 2-344, FFKM Kalrez 4079, 1/PK
EZ-OR-344-K6-1	Spare o-ring, 2-344, FFKM Kalrez 6375, 1/PK
EZ-OR-344-B-1	Spare o-ring, 2-344, Viton® Extreme ETP, 1/PK
EZ-OR-344-V-1*	Spare o-ring, 2-344, FKM, Viton® equiv, 1/PK
EZ-OR-344-E-5*	Spare o-ring, 2-344 EP, 5/PK
EZ-OR-222-K6-1	Spare o-ring, 2-222, FFKM Kalrez 6375, 1/PK
EZ-WR-H-1	Wrench head, 1/PK
EZ-UCLM-V	U Clamp Mounting, PVDF, 2/PK
EZ-SC-HS-20-4	PVDF Screw M8x1.25 External Hex L20mm 4/PK
EZ-SC-HS-35	Screw, Hex Socket, L35mm, PVDF, 4/PK
EZ-MP-PP-10-1	Mount Plate for MYC-Exx CL PFA, PP 110X105X10mm, 1/PK
EZ-MP-PP-05-1	Mount Plate for MYC-Exx CL PFA, PP 110X105X5mm, 1/PK
EZ-MP-SUS-110105-02-1	Mount Plate for MYC-Exx CL PP, 304 Stainless Steel 110X105X2mm, 1/PK
EZ-MP-SS-110105PFA-02-1	Mount Plate for MYC-Exx CL PFA, 304 Stainless Steel 110X105X2mm, 1/PK