

# Microprint™ II

## Capsule Filters



The Microprint™ II filter capsule has been specifically designed to offer maximum protection of print heads on digital printers. The self-contained unit is designed from a robust fully welded polypropylene construction. Available in both natural and black opaque for UV based inks, the Microprint™ II is made from materials free from binding agents, to give low extractables and protection from fibre release downstream, so ensuring a clean fluid system.

Microprint™ II capsule is available with a choice of our proprietary Polyfil™ and Klearfil™ filter media to suit solvent, aqueous and UV based inks. The different option of fluid inlet and outlet connectors allows the capsule to fit the majority of inkjet printer systems.

### Typical Applications

- Inkjet

### Features

- Industry standard and custom engineered filters
- Compatible with aqueous, UV and solvent based inks
- Clean, zero filter shedding and validated filters
- Multiple connectors and micron ratings.

### Specifications

#### Filter Code

8202

#### Materials of Manufacture

Filter media: Polypropylene  
 Housing material: Polypropylene  
 Housing colour: Opaque black and natural

#### Micron Rating

0.5µm, 1µm, 3µm, 5µm, 10µm, 20µm, 40µm and 60µm (additional ratings available on request)

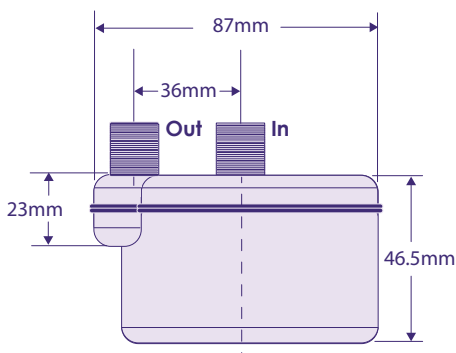
### Maximum Operating Pressure

<6.5bar (94psi)

### Operating Temperature

From 0°C to 50°C (32°F to 122°F)

### Dimensions



### Ordering Information

Product Code: 8202 - Table 1 - Table 2 - Table 3 - Table 4

Table 1 Micron Ratings

0050	0.5µm
0100	1µm
0300	3µm
0500	5µm
1000	10µm
2000	20µm
4000	40µm
6000	60µm

Table 2 Filter Media

1	Polyfil™
5	Klearfil™

Table 3 Connectors

FF	1/4" Quick Release*
JJ	7/16-20 UNF Male
DD	1/4" NPT Male
BB	1/8" Quick Release*

\*EPDM Seals

Table 4 Housings

N	Natural
C	Opaque black