

Microprint™ II

Capsule Filter

The Microprint™ II filter capsule has been specifically designed to offer maximum protection of printhead's on digital printers. The self-contained unit is designed from a robust fully welded polypropylene construction. Available in both natural and black opaque for UV based inks, the Microprint™ II is made from materials free from binding agents, to give low extractables and protection from fibre release downstream, so ensuring a clean fluid system.

Microprint™ II capsule is available with a choice of our proprietary Polyfil™ and Klearfil™ filter media to suit solvent, aqueous and UV based inks. The different option of fluid inlet and outlet connectors, allows the capsule to fit majority of the inkjet printer systems.



Applications

- Marking and labelling
- Textiles
- Ceramics
- Security printing
- OLED, LED and solar panels
- Packaging
- Office and home printing
- Food and pharmaceutical
- Decorative and wallpaper
- Glass and flooring laminates
- Conductive and e-inks

Features

- Industry standard and custom engineered filters
- Compatible with aqueous, UV and solvent based inks
- Clean, zero filter shedding and validated filters
- Multiple connectors and micron ratings



Features and Benefits

Features	Advantages	Benefits
Black capsule (for UV based ink)	Protection from UV light and premature curing of the UV ink	Prevents ink waste
All standard in/out connections	Adapts to all systems designs	Requires no design modifications on existing supplier filters
No additives glues or binding agents	Does not leach out extractables	Maintains system cleanliness
Minimum hold up volume	Minimises ink loss during filter change	Reduces waste and keeps cost down
Enclosed capsule design	Minimises spillage, reduces risk from process contamination	Maintains a clean system and downtime

Specifications

Materials of Manufacture

Filter media: Polypropylene
 Housing material: Polypropylene
 Housing colour: Opaque black and natural

Micron Rating

0.5µm, 1µm, 3µm, 5µm, 10µm, 20µm, 40µm and 60µm
 (Additional ratings available on request)

Connectors

Jaco: 1/4" Jaco®
 6mm Jaco®
 QRC: Quick Release
 1/4" NPT thread

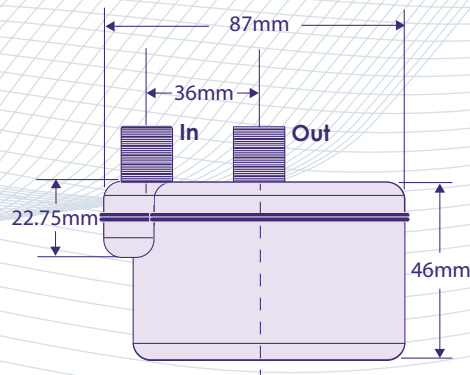
Maximum Operating Pressure

< 6.5bar (94psi)

Operating Temperature

From 0°C (32°F) to 50°C (122°F)

Dimensions



porvair
 filtration group

Porvair Filtration Group Ltd.

1 Concorde Close
 Segensworth
 Fareham
 Hampshire
 PO15 5RT
 UK
 Tel: +44 (0)1489 864330
 Fax: +44 (0)1489 864399
 Email: info@porvairfiltration.com

Porvair Filtration Group Inc.

10190 Maple Leaf Court
 Ashland
 Virginia 23005
 USA
 Tel: +1 804 550 1600
 Fax: +1 804 550 3262
 Email: infoUS@porvairfiltration.com

www.porvairfiltration.com

Porvair is a registered trademark of Porvair plc.
 Microprint, Klearfil and Polyfil are trademarks of Porvair plc.
 © Copyright 2011. Porvair Filtration Group Ltd. All rights reserved.

Whilst every effort has been made to ensure the accuracy of this document, due to continuous product development, the data contained is subject to constant revision and Porvair Filtration Group Ltd. reserves the right to change, alter or modify its contents.